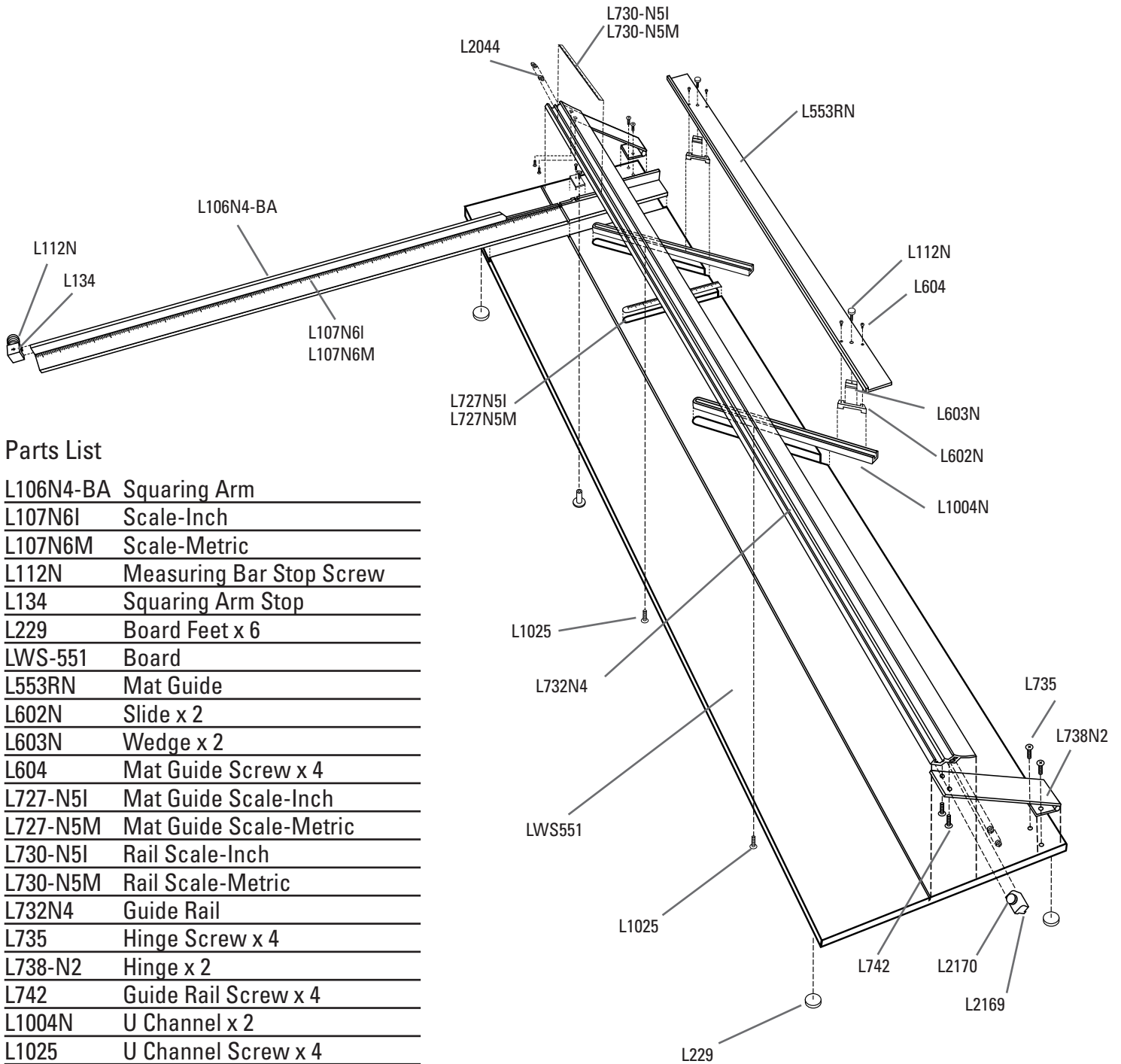


SIMPLEX ELITE MAT CUTTER

MODEL 750-1

PARTS DIAGRAM

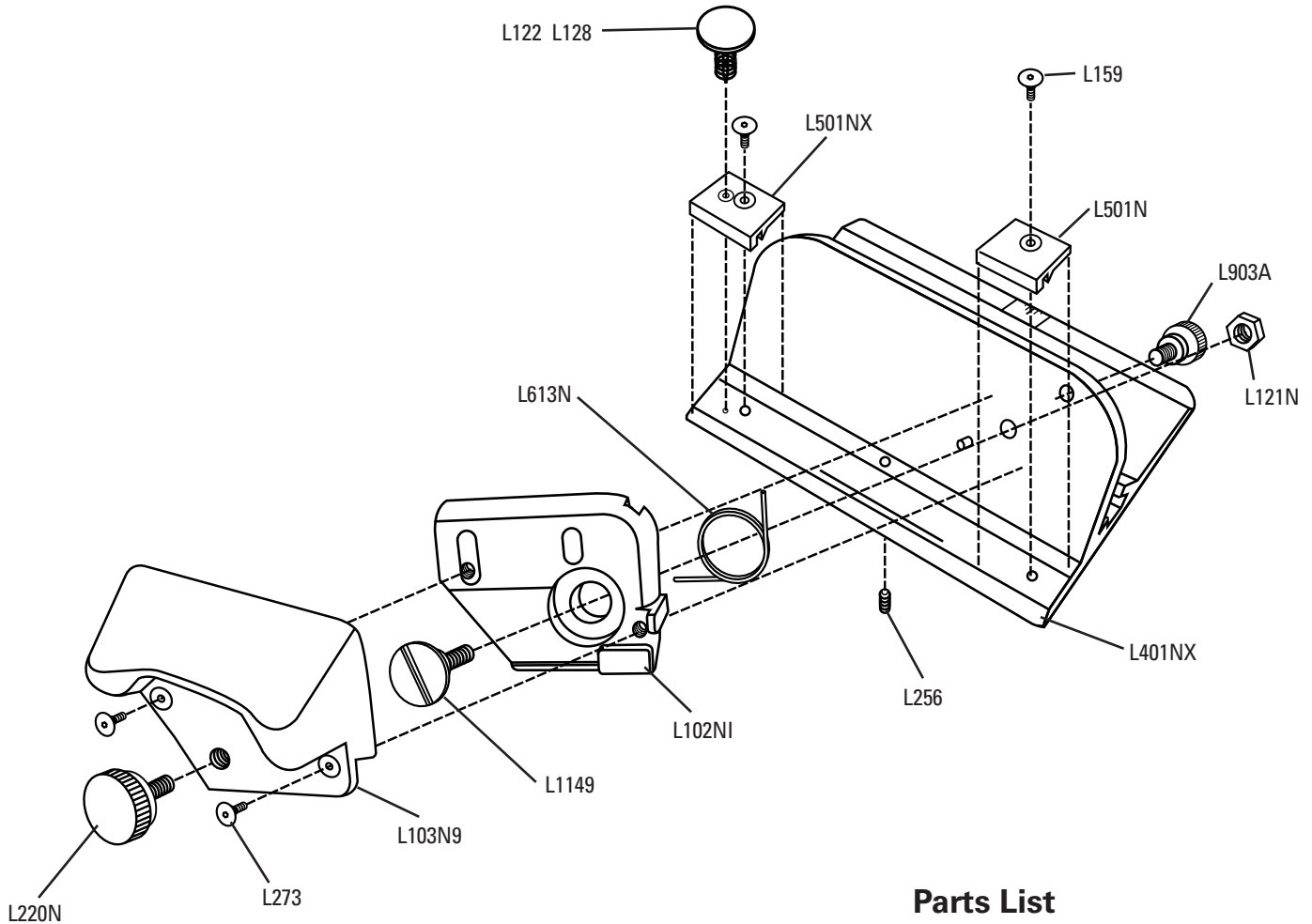


Parts List

L106N4-BA	Squaring Arm
L107N6I	Scale-Inch
L107N6M	Scale-Metric
L112N	Measuring Bar Stop Screw
L134	Squaring Arm Stop
L229	Board Feet x 6
LWS-551	Board
L553RN	Mat Guide
L602N	Slide x 2
L603N	Wedge x 2
L604	Mat Guide Screw x 4
L727-N5I	Mat Guide Scale-Inch
L727-N5M	Mat Guide Scale-Metric
L730-N5I	Rail Scale-Inch
L730-N5M	Rail Scale-Metric
L732N4	Guide Rail
L735	Hinge Screw x 4
L738-N2	Hinge x 2
L742	Guide Rail Screw x 4
L1004N	U Channel x 2
L1025	U Channel Screw x 4
L2044	Nut x 4
L2169	Rail Stop x 2
L2170	Rail Stop Knob x 2

BEVEL MAT CUTTER

MODEL 702-1



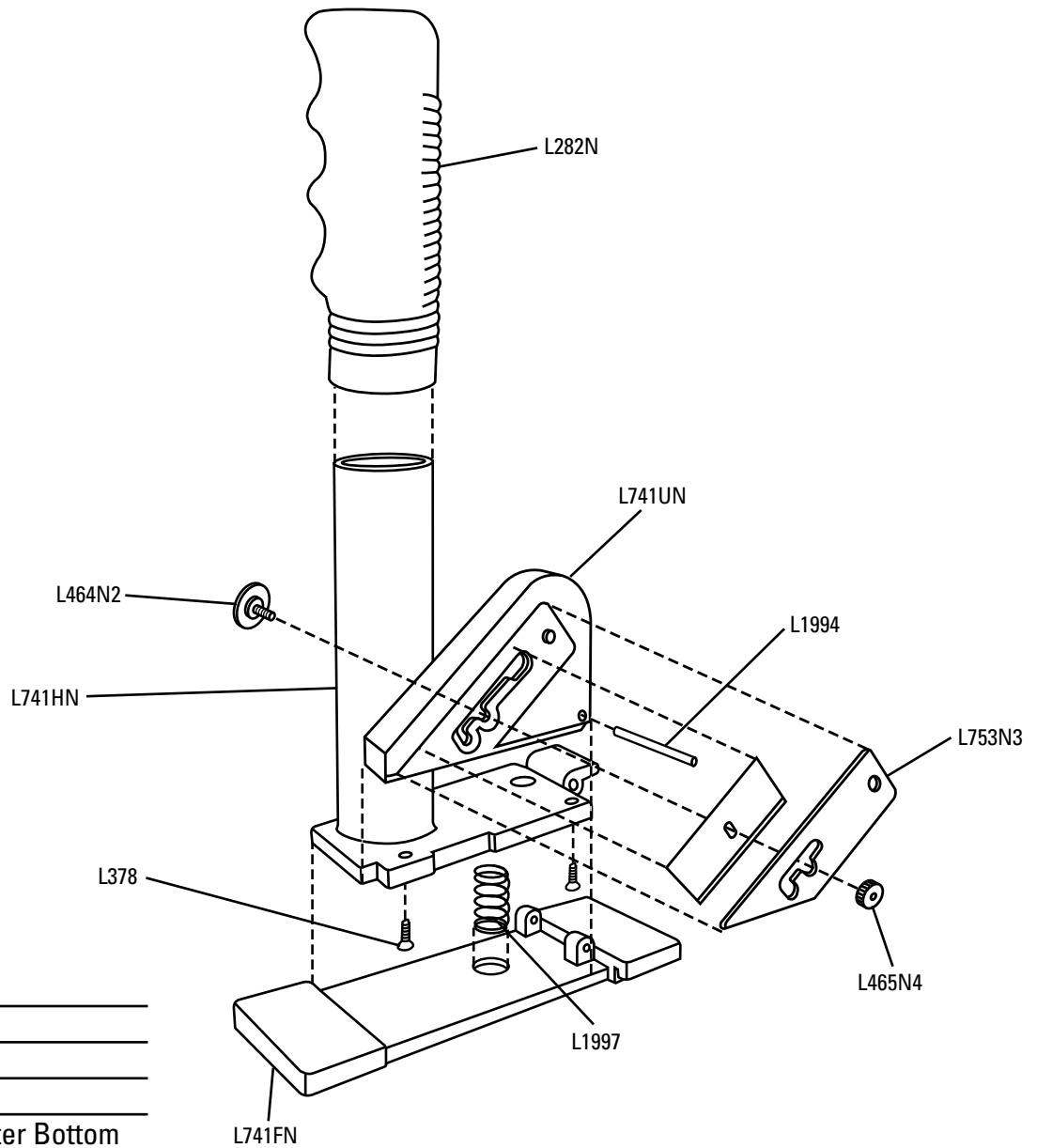
Parts List

L122	Anti-Crawl Spring
L613N	Spring
L220N	Blade Knob
L273	Screw X 2
L103N9	Blade Cover
L1149	Shoulder Bolt
L102NI	Blade Holder
L256	Depth Screw
L401NX	Cutting Head
L121N	Nut
L903A	Retainer Screw
L501N	Nylon Guide
L501NX	Nylon Guide
L159	Screw X 2

ARTIST ELITE STRAIGHT CUTTER

MODEL 701-1

PARTS DIAGRAM



Parts List

L282N	Handle Grip
L378	Screw x 2
L464N2	Bolt
L465N4	Nut
L741FN	Straight Cutter Bottom
L741HN	Straight Cutter Handle
L741UN	Straight Cutter Upright
L753N3	Cover Plate
L1994	Hinge Pin
L1997	Spring



SIMPLEX ELITE 8 PLY MAT CUTTER

MODEL 711-1

PARTS DIAGRAM

Parts List

L1840N2	Rear Bearing Top
L1841N2	Rear Bearing Bottom
L1842N	Front Bearing Top
L1843N	Front Bearing Bottom
L1844N3	Cutting Head
L1845N9	Blade Holder
L1848	Pivot
L1848N2	Cover
L1864N	Blade Screw
L613N	Spring
L1149	Shoulder Screw
L121N	Nut
L122	Anticrewl Pin
L256	Set Screw
L3070	Blade Adj. Screw
L1871	Bearing Screw
L1869	Cover Screw
L1880	Cover Screw
L1881	Cover Screw

